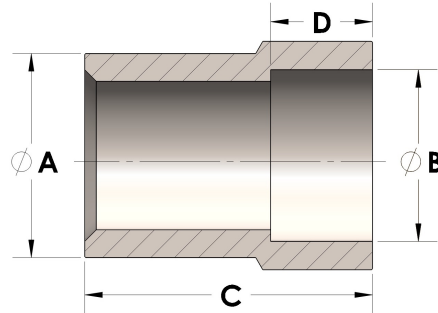


Product Category

H866-06-06-CUNI

Part Description

Direct Weld/Braze Insert (Male Tube X Pipe SW)



DIMENSIONS

A	0.380
B	0.68
C	1.25
D	0.380

GENERAL

Pressure Rating	2500 PSI
Fitting Material	Copper Nickel 70/30, MIL-C--15726F, UNS C71500