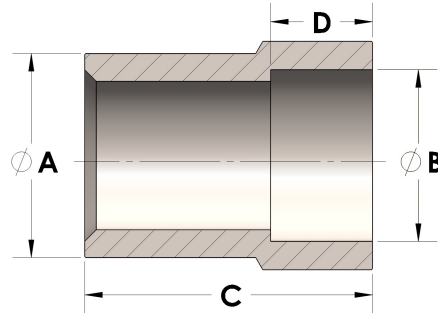


Product Category

H866-08-06-SS316L

Part Description

Direct Weld/Braze Insert (Male Tube X Pipe SW)



## DIMENSIONS

A	0.500
B	0.68
C	1.25
D	0.380

## GENERAL

Pressure Rating	3000 PSI
Fitting Material	316/L Stainless Steel, ASTM A276, UNS S31600/03