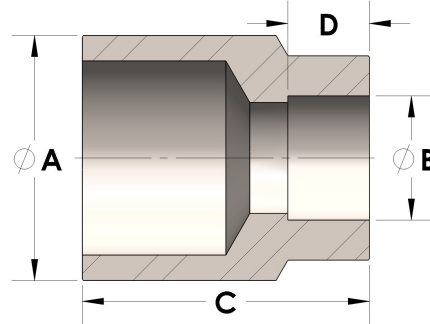


Product Category

H867-06-04-CUNI

Part Description

Direct Weld/Braze Insert (Male Tube X Tube SW)



## DIMENSIONS

A	0.380
B	0.25
C	0.69
D	0.190

## GENERAL

Pressure Rating	4500 PSI
Fitting Material	Copper Nickel 70/30, MIL-C--15726F, UNS C71500