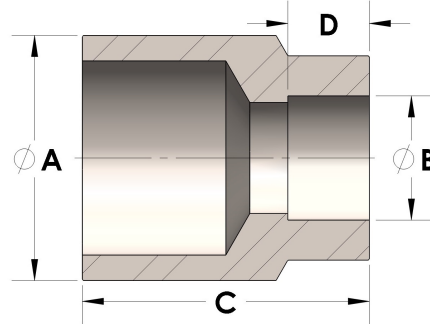


Product Category

H867-06-04-SS316L

Part Description

Direct Weld/Braze Insert (Male Tube X Tube SW)



## DIMENSIONS

A	0.380
B	0.25
C	0.69
D	0.190

## GENERAL

Pressure Rating	6000 PSI
Fitting Material	316/L Stainless Steel, ASTM A276, UNS S31600/03