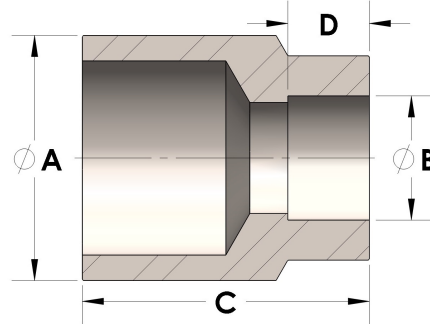


Product Category

H867-08-02-CUNI

Part Description

Direct Weld/Braze Insert (Male Tube X Tube SW)



DIMENSIONS

A	0.500
B	0.13
C	0.81
D	0.190

GENERAL

Pressure Rating	3000 PSI
Fitting Material	Copper Nickel 70/30, MIL-C--15726F, UNS C71500