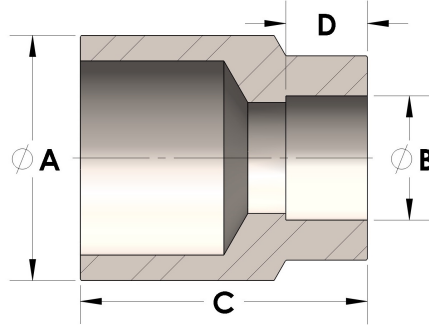


Product Category

H867-08-04-S

Part Description

Direct Weld/Braze Insert (Male Tube X Tube SW)



DIMENSIONS

A	0.500
B	0.25
C	0.81
D	0.190

GENERAL

Pressure Rating	6000 PSI
Fitting Material	Carbon Steel, ASTM A108