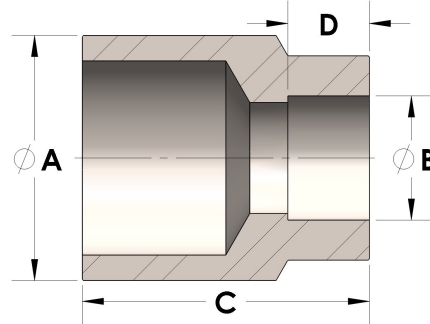


Product Category

H867-10-04-M

Part Description

Direct Weld/Braze Insert (Male Tube X Tube SW)



DIMENSIONS

A	0.630
B	0.25
C	0.94
D	0.190

GENERAL

Pressure Rating	6000 PSI
Fitting Material	Monel®, ASTM B164, UNS N04405