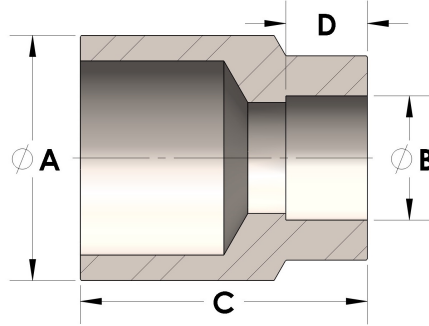


Product Category

H867-10-08-SS316L

Part Description

Direct Weld/Braze Insert (Male Tube X Tube SW)



## DIMENSIONS

|   |       |
|---|-------|
| A | 0.630 |
| B | 0.50  |
| C | 0.94  |
| D | 0.310 |

## GENERAL

|                  |   |
|------------------|---|
| Pressure Rating  | 4500 PSI  |
| Fitting Material | 316/L Stainless Steel, ASTM A276, UNS S31600/03 |