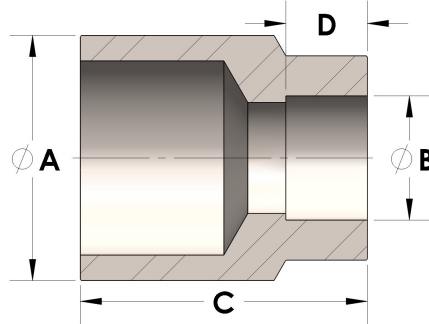


Product Category

H867-12-04-S

Part Description

Direct Weld/Braze Insert (Male Tube X Tube SW)



DIMENSIONS

| | |
|---|-------|
| A | 0.750 |
| B | 0.25 |
| C | 0.88 |
| D | 0.190 |

GENERAL

| | |
|------------------|-------------------------|
| Pressure Rating | 3000 PSI |
| Fitting Material | Carbon Steel, ASTM A108 |