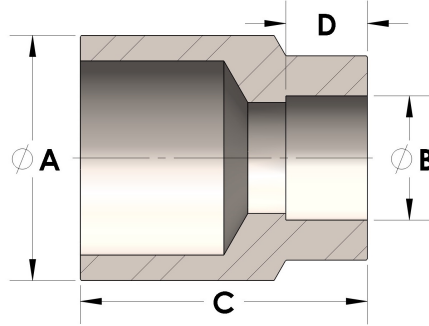


Product Category

H867-12-10-M

Part Description

Direct Weld/Braze Insert (Male Tube X Tube SW)



## DIMENSIONS

|   |       |
|---|-------|
| A | 0.750 |
| B | 0.63  |
| C | 1.06  |
| D | 0.380 |

## GENERAL

|                  |                               |
|------------------|-------------------------------|
| Pressure Rating  | 6000 PSI                      |
| Fitting Material | Monel®, ASTM B164, UNS N04405 |