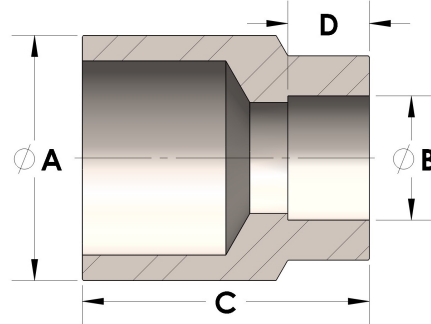


Product Category

H867-12-10-SS316L

Part Description

Direct Weld/Braze Insert (Male Tube X Tube SW)



DIMENSIONS

A	0.750
B	0.63
C	1.06
D	0.380

GENERAL

Pressure Rating	4500 PSI
Fitting Material	316/L Stainless Steel, ASTM A276, UNS S31600/03